

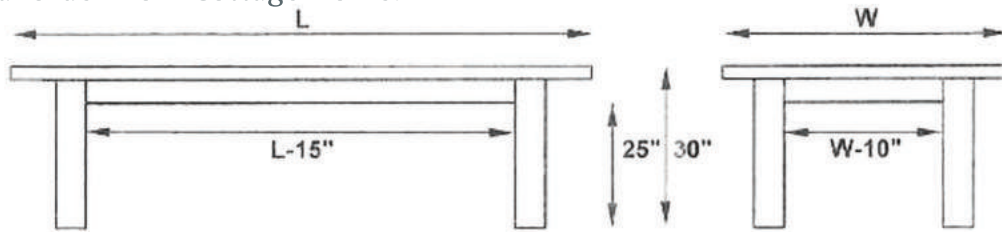
COTTAGE HOME

Distinctive Cottage Furniture & Farmhouse Tables

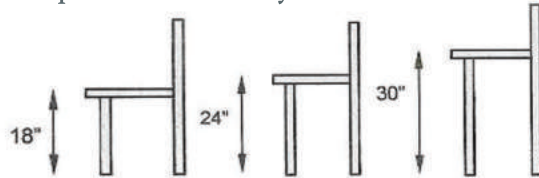
DINING TABLE SEATING GUIDE

DIMENSIONAL GUIDELINES

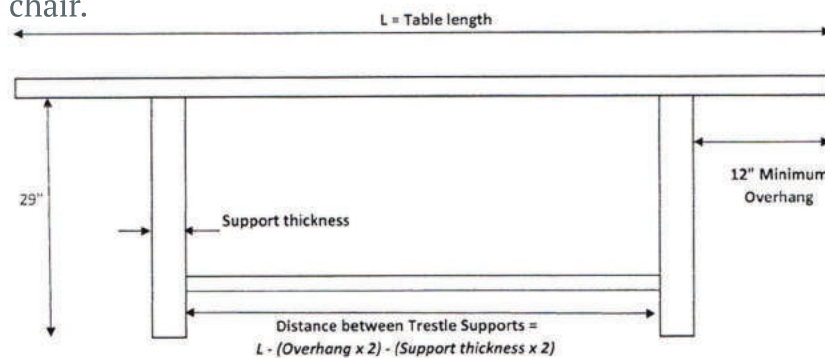
These are typical dimensions for our wood dining tables and can vary slightly. These dimensions can be modified by special order from Cottage Home.



The distance between the legs of a dining table is the table length minus 15" for the length and the table width minus 10" for the width. The bottom apron is normally 25" from the floor.



The distance between the top of a work surface and a chair or stool seat is normally 12". Counter stools also come in seat heights of 25" or 26". Chair and stool widths vary from 16" to 25" with an average being 20" wide. A minimum of 27" to 30" clearance from a wall and a minimum of 24" additional floor coverage for a rug is required to pull out a side chair.



The benefit of a trestle table is it eliminates the apron and the legs of a more traditional farmhouse dining table. This allows more room for additional seating around the table by eliminating leg interference. Also, it provides more clearance under the table as an apron is not required to support the legs.

To insure comfortable clearance for seating at the ends of the table a minimum overhang from the trestle support to the end of the table should be at least 12". For tight situations an overhang can be reduced to 10". Depending on the length of the table and the trestle table design, it is a good idea to check the distance between trestle supports to determine how chairs will be positioned when they are pushed in and the table is not being used. Dining chairs are approximately 18-20" wide and need about 2" on each side of the chair, therefore:

$$\text{Chair clearance width} = (\# \text{ of chairs} \times (\text{chair width} + 4")) - 2"$$

To determine how the chairs with a trestle table compare the chair clearance width and the distance between the trestle supports. If the distance between the trestle supports is larger than the required chair clearance the chairs will fit between the supports. If the distance between the support is less then the required chair clearance the chairs will have to straddle the supports.

Example: How will 6 - 19" wide chairs (2 on each side and 2 at each end) fit around a 72" long trestle table with 3" wide supports?

$$\begin{aligned} \text{Required chair clearance} &= (2 \times (19" \times 4)) - 2" \times (2 \times 23") - 2" = 44" \\ \text{Distance between trestle supports} &= 72" - (2 \times 12") - (2 \times 3") + 72" - 24" - 6" = 42" \end{aligned}$$

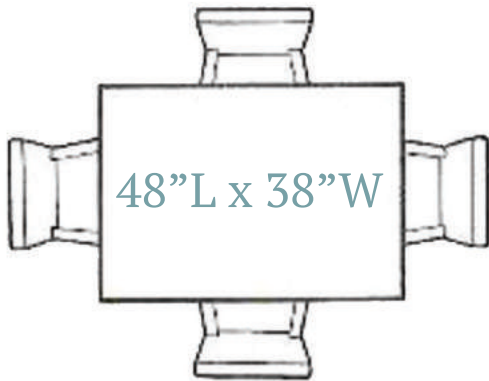
In this case, the chairs will not have adequate clearance. For the chairs to fit together the table length needs to be either be increased by 2", the overhang decreased by 1", reduce the clearance between the chairs to 1" or use 18" wide chairs. For reference, the width of the trestle support base on the floor is normally between 65 - 80% of the width of the table.

COTTAGE HOME

Distinctive Cottage Furniture & Farmhouse Tables

DINING TABLE SEATING GUIDE: Rectangular Dining Tables SEATING CAPACITIES

The following diagrams will provide guidelines for different size dining tables. Diagrams are based on chairs that are 20" wide. The allowance between the chairs should be a minimum of 2" (tight) to 6" (roomy). *Seating arrangements labeled tight are for occasional use and normally involve some interference with the table legs.*



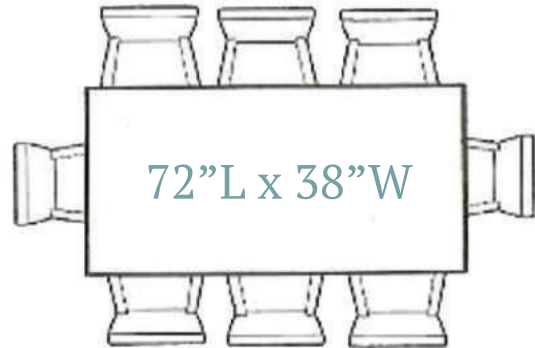
4' table with four chairs



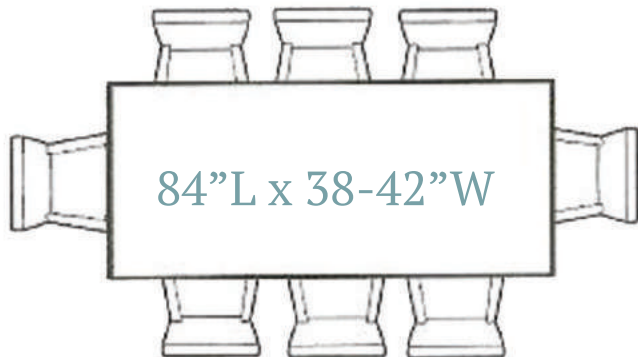
5' table with six chairs



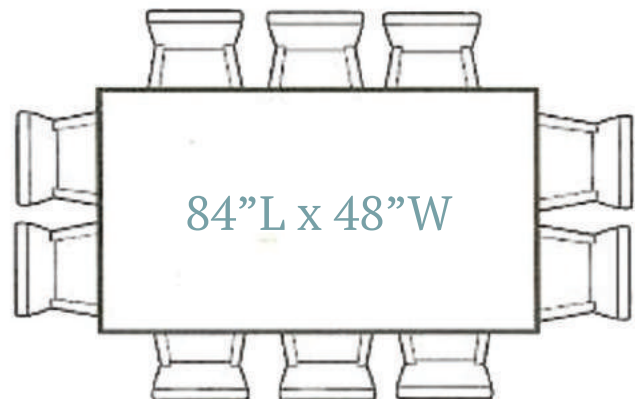
6' table with six chairs



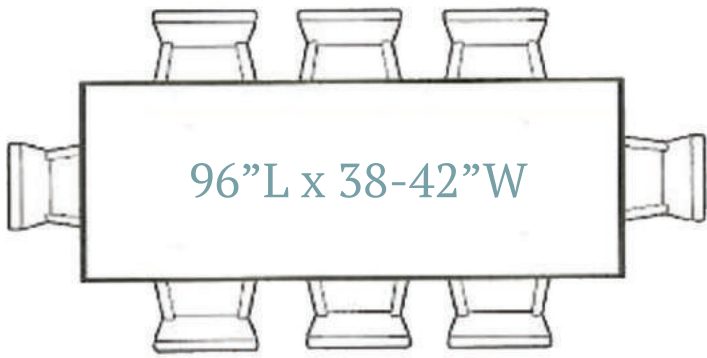
6' table with eight chairs
(tight on sides)



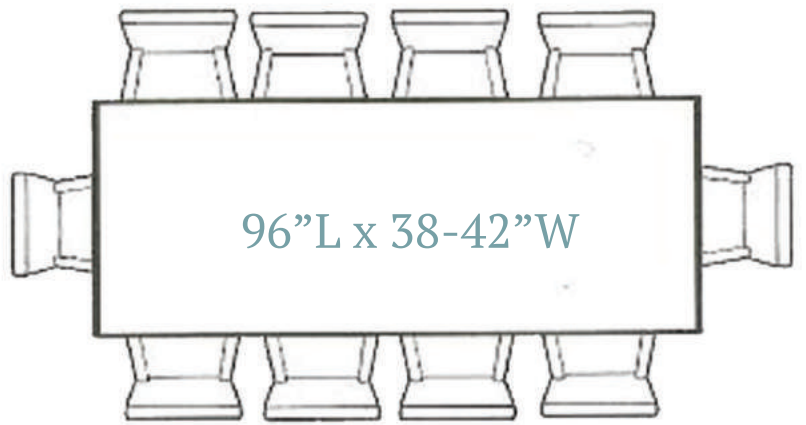
7' table with eight chairs



7' table (additional width) with 10 chairs
(tight on ends)



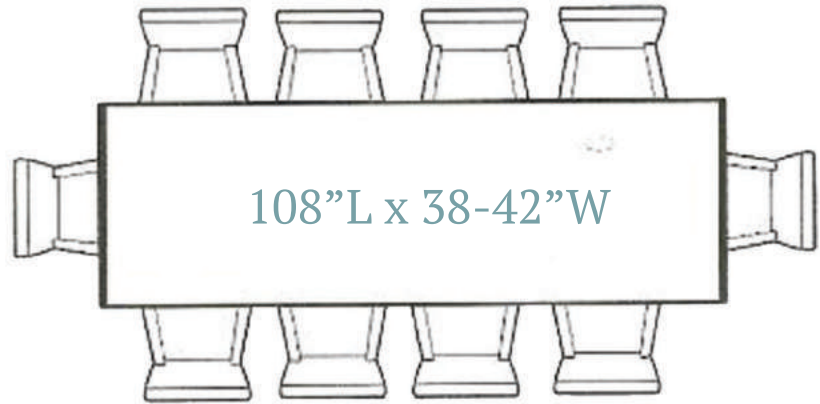
8' table with eight chairs



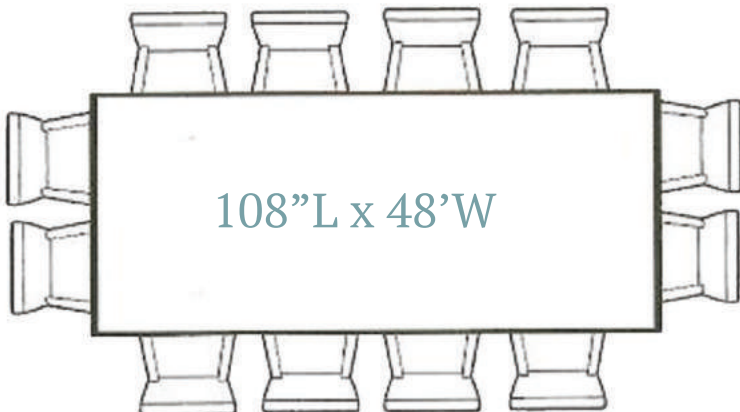
8' table with ten chairs
(tight on sides)



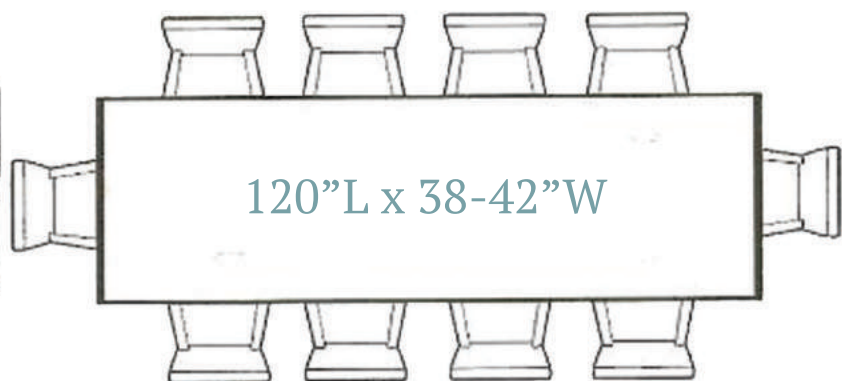
8' table (additional width)
with twelve chairs (tight)



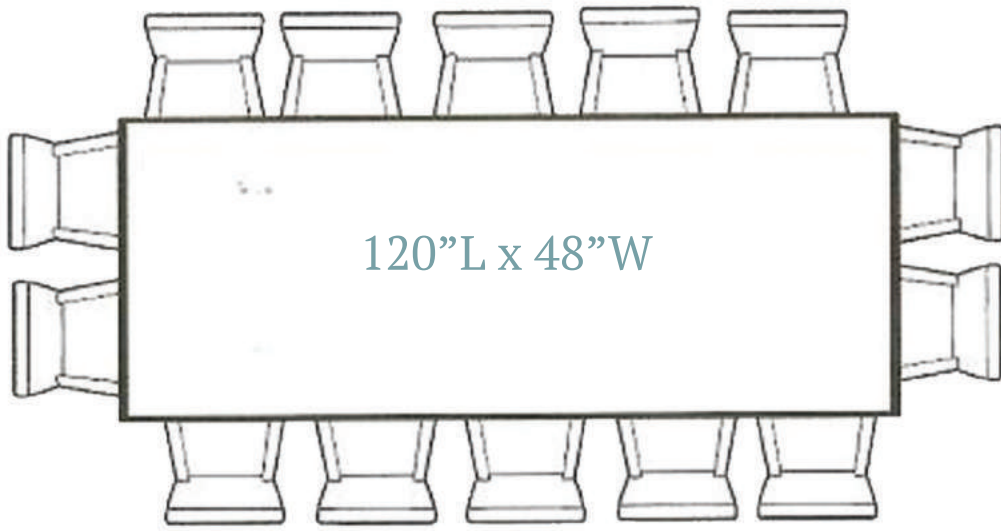
9' table with ten chairs



9' table (additional width)
with twelve chairs (tight on ends)



10' table with ten chairs



10' table (additional width)
with fourteen chairs (tight)

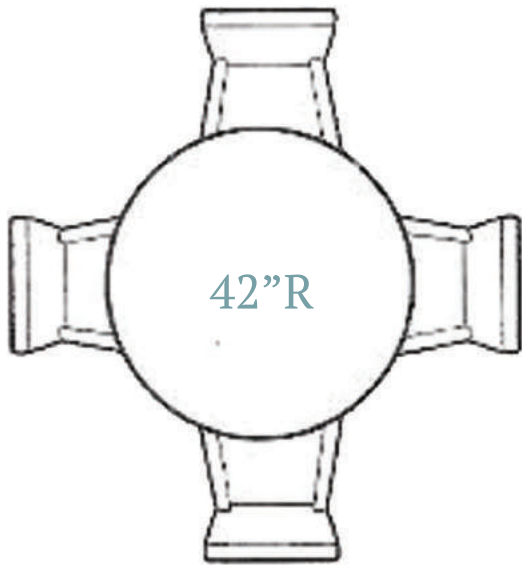
COTTAGE HOME

Distinctive Cottage Furniture & Farmhouse Tables

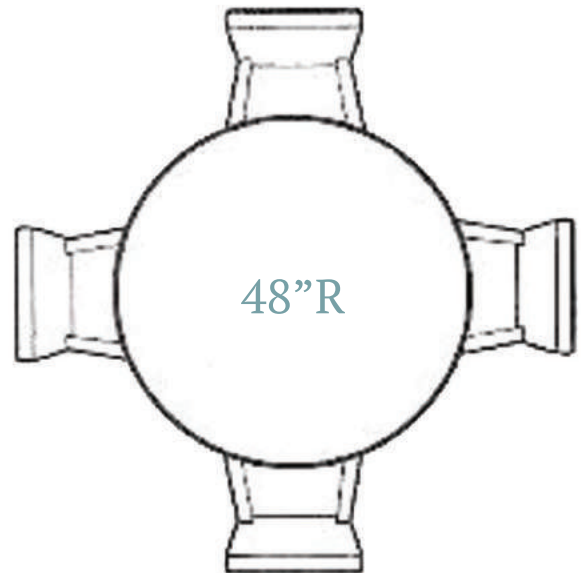
DINING TABLE SEATING GUIDE: Round Dining Tables

SEATING CAPACITIES

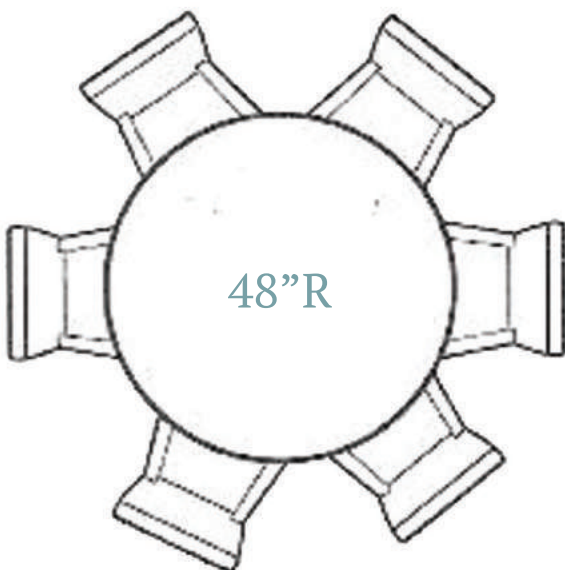
The following diagrams will provide guidelines for different size dining tables. Diagrams are based on chairs that are 20" wide. The allowance between the chairs should be a minimum of 2" (tight) to 6" (roomy). *Seating arrangements labeled tight are for occasional use and normally involve some interference with the table legs.*



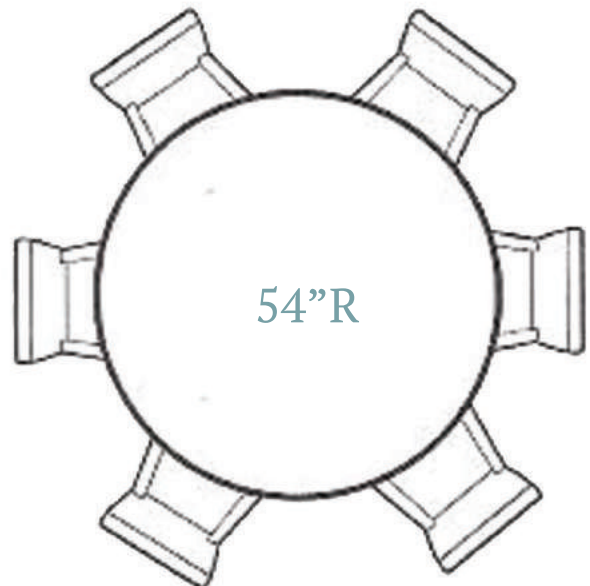
3.5' table with four chairs



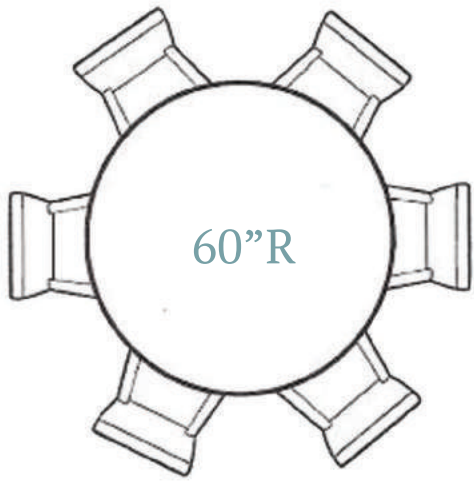
4' table with four chairs



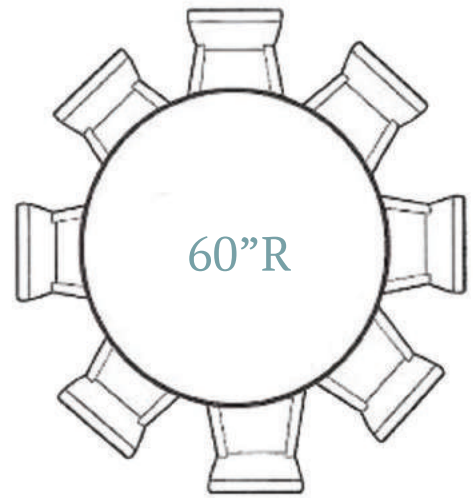
4' table with six chairs
(tight)



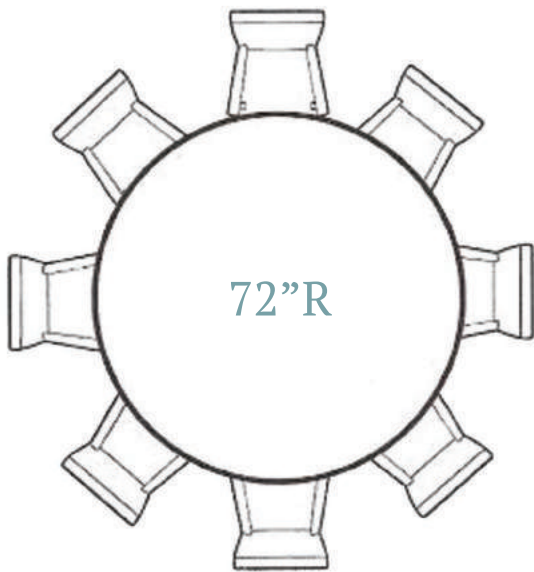
4.5' table with six chairs



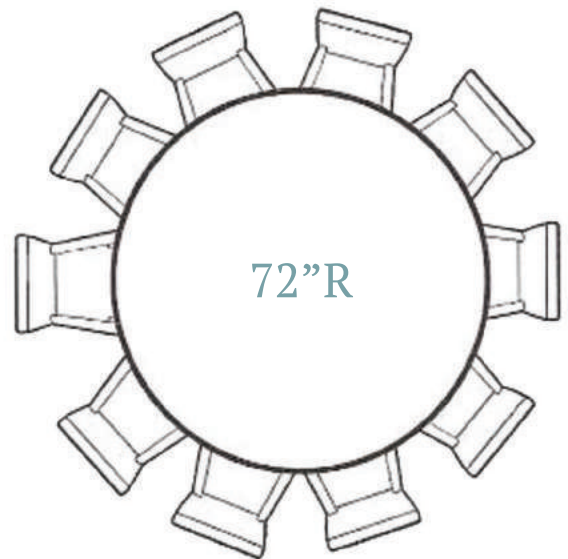
5' table with six chairs



5' table with eight chairs
(tight)



6' table with eight chairs



6' table with ten chairs
(tight)

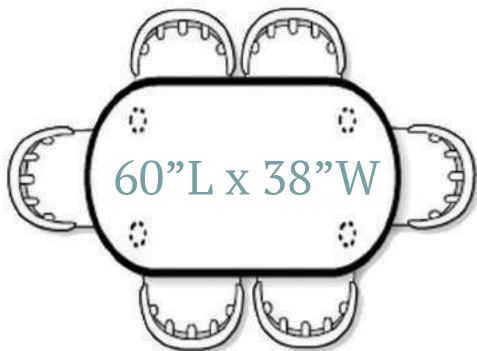
COTTAGE HOME

Distinctive Cottage Furniture & Farmhouse Tables

DINING TABLE SEATING GUIDE: Racetrack Dining Tables

SEATING CAPACITIES

The following diagrams will provide guidelines for different size dining tables. Diagrams are based on chairs that are 20" wide. The allowance between the chairs should be a minimum of 2" (tight) to 6" (roomy). *Seating arrangements labeled tight are for occasional use and normally involve some interference with the table legs.*



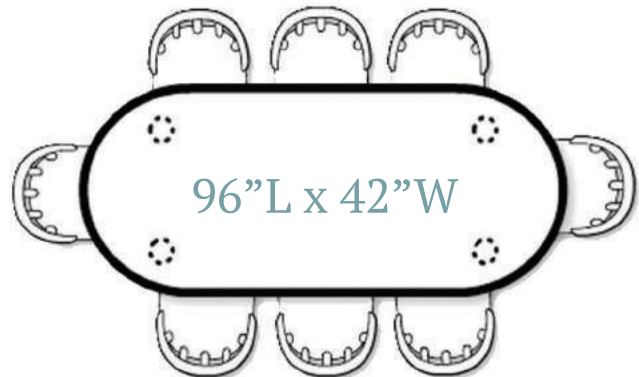
5' table with six chairs
(tight)



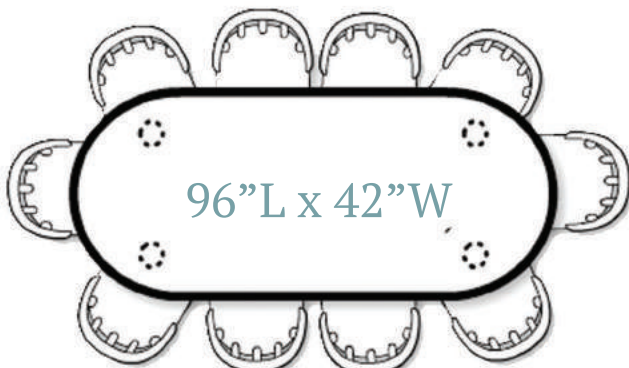
6' table with six chairs



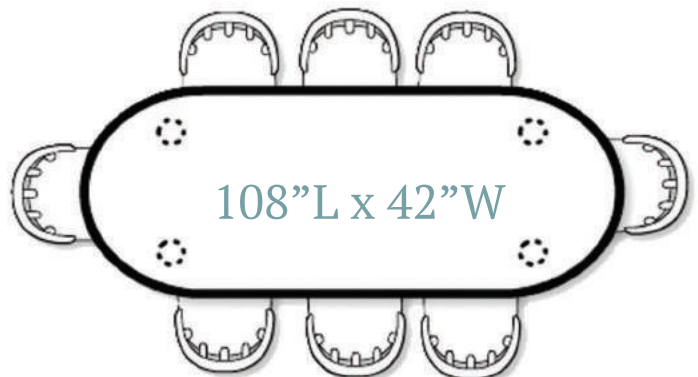
7' table with eight chairs



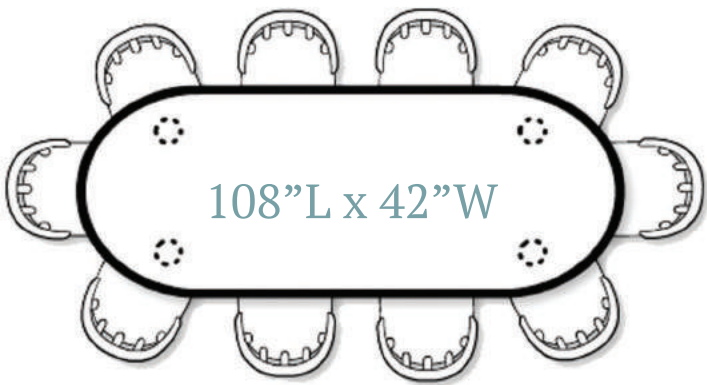
8' table with eight chairs



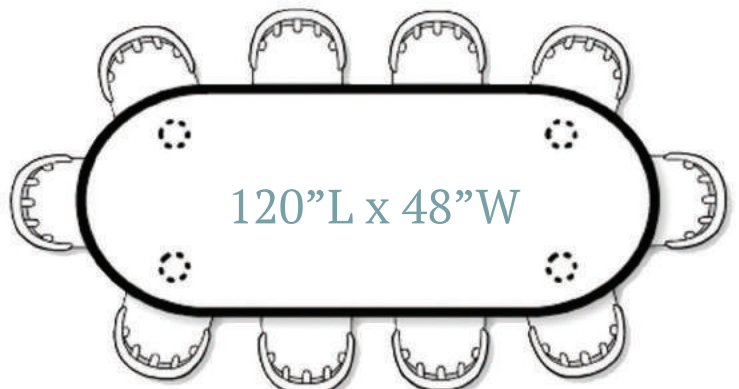
8' table with ten chairs
(tight)



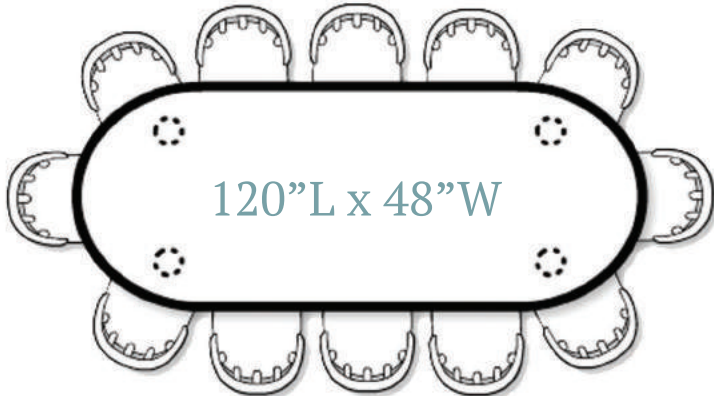
9' table with eight seats



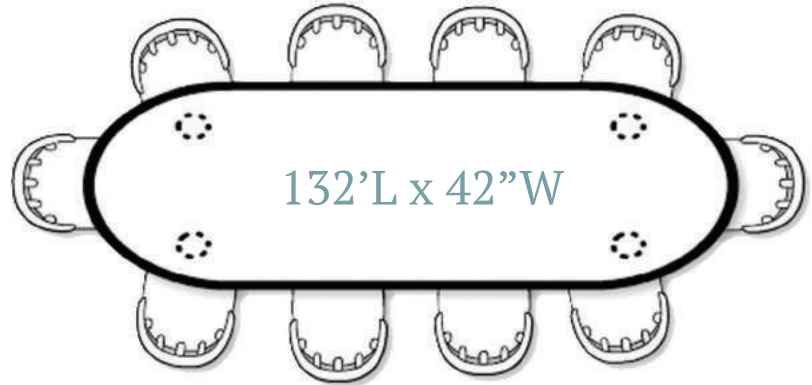
9' table with ten seats



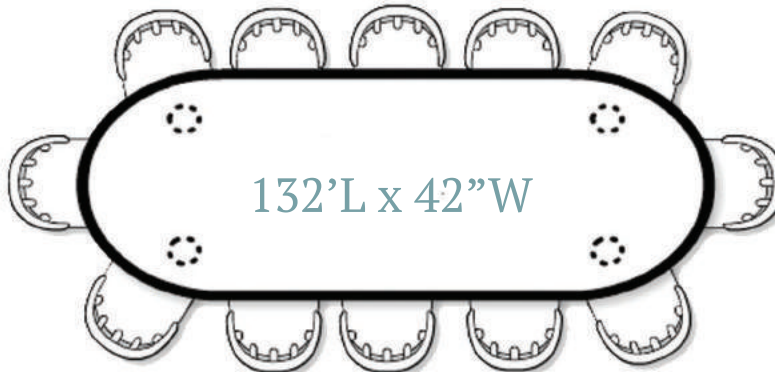
10' table with ten seats



10' table with twelve seats
(tight)



11' table with ten seats



11' table with twelve seats
(tight)